

DETAILS

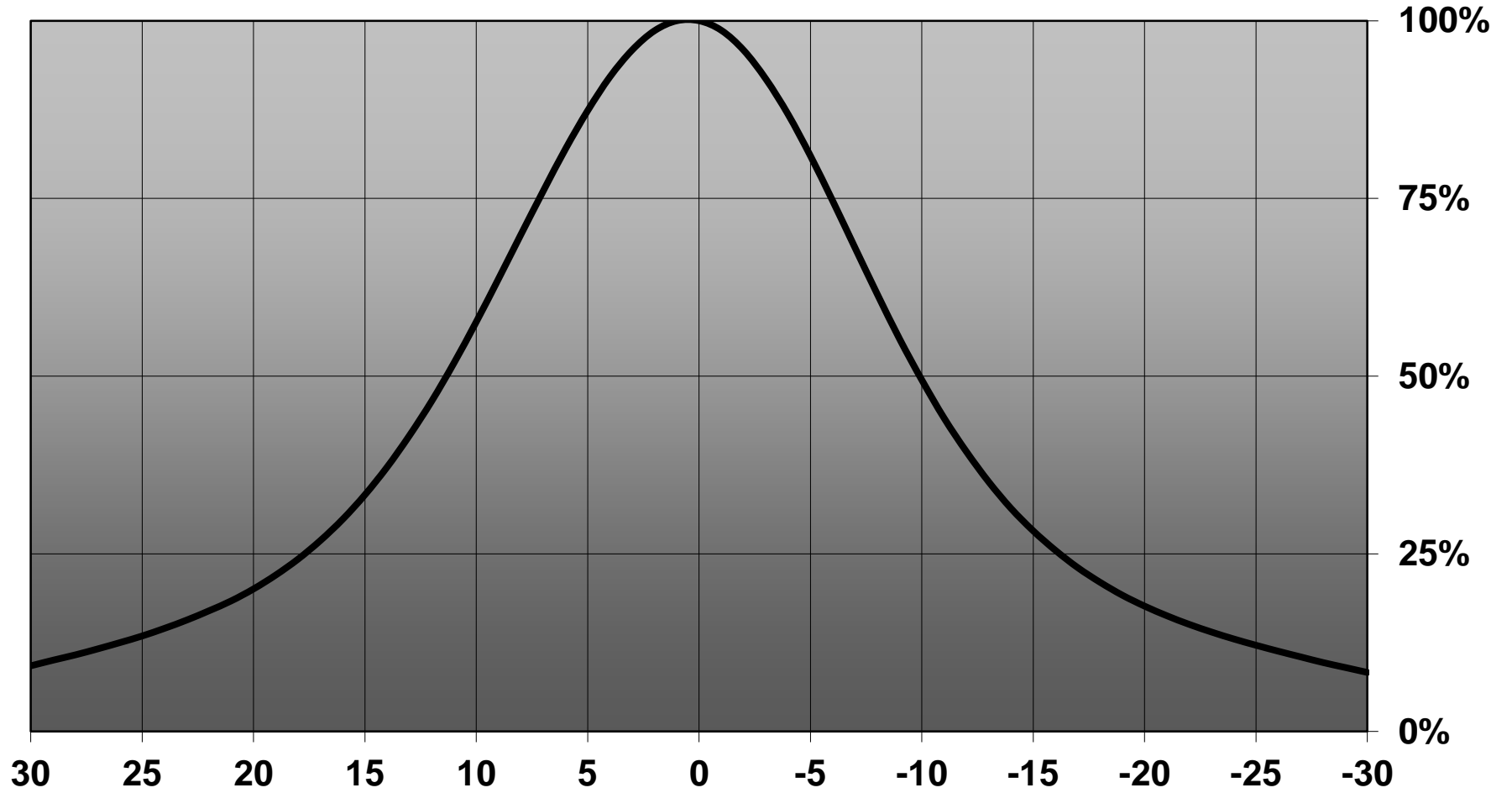
| | |
|------------------------|-----------------------------|
| Product Number | CN13905_MIRELLA-50-S-PF-RZL |
| Family | Mirella |
| Type | RefPack |
| Color | metal |
| Diameter | 49,9 mm |
| Height | 25,6 mm |
| Style | round |
| Optic Material | PC |
| Holder Material | |
| Fastening | screw, socket |
| Status | production ready |
| ROHS Compliant | Yes |
| Date Updated | 2/11/2016 |



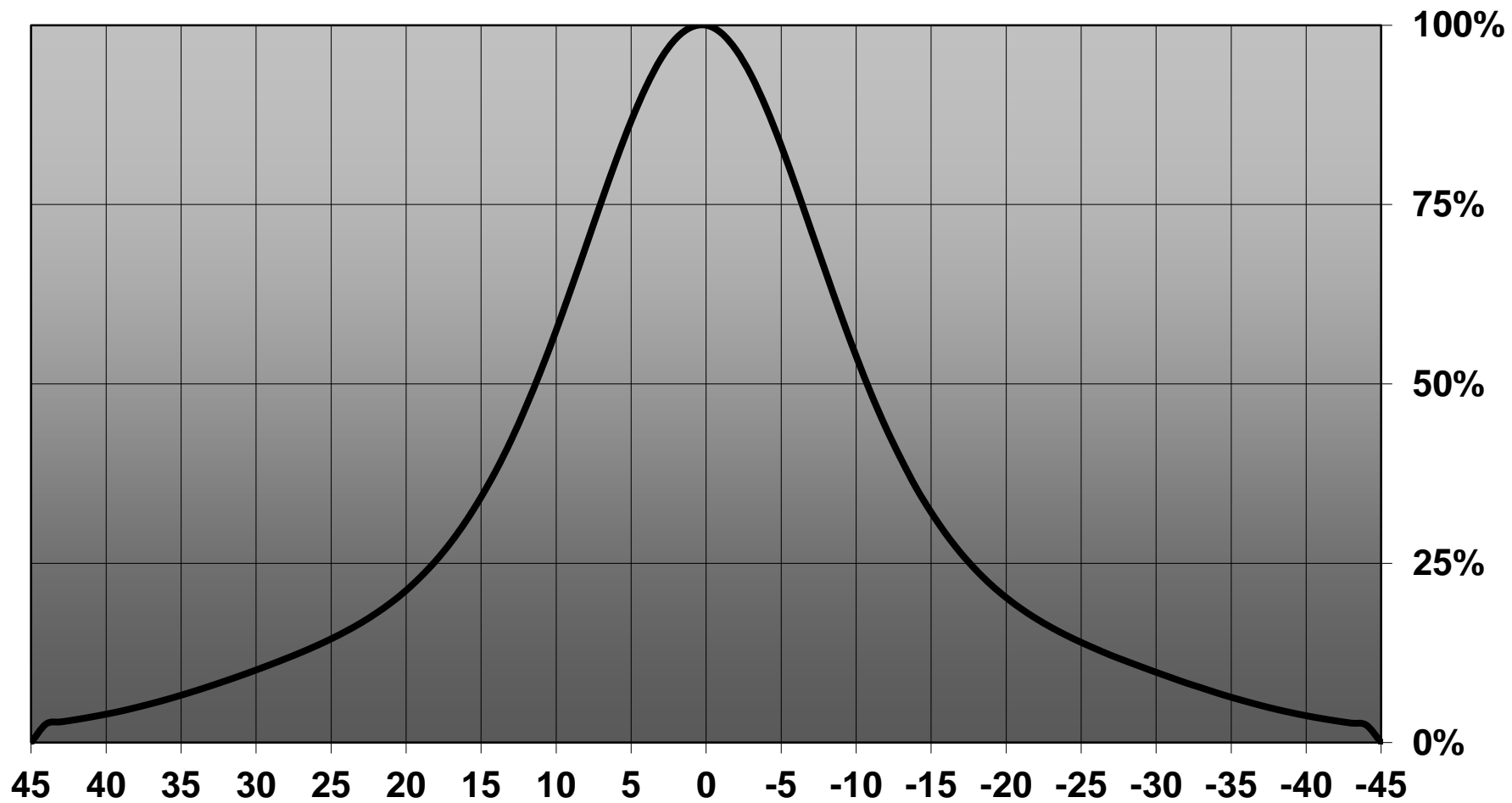
OPTICAL PROPERTIES

| LED | Viewing | Light | Efficiency | cd/lm | Connector |
|-----------------------|---------|-------|------------|-------|--------------|
| | Angle | Beam | | | |
| CLL02x/CLU02x (LES10) | 25 deg | Spot | - | 1.500 | - |
| CLU700/701 | 23 deg | Spot | 82 % | 2.500 | - |
| XM-L RGB | 22 deg | Spot | 80 % | 3.060 | - |
| XHP50 | 22 deg | Spot | 81 % | 2.600 | - |
| XHP70 | 24 deg | Spot | 81 % | 2.400 | - |
| MHD-E/G | 24 deg | Spot | 84 % | 2.300 | - |
| XQ-E HI RGBW | 21 deg | Spot | 86 % | 3.140 | - |
| LUXEON Z RGB | 21 deg | Spot | 78 % | 3.200 | - |
| CXM-9 | 30 deg | Spot | 81 % | 1.800 | - |
| Ostar-SMT RGB | 20 deg | Spot | 82 % | 3.400 | - |
| Duris S10 | 22 deg | Spot | 82 % | 3.000 | LEDiL: LEDiL |
| OSTAR Stage (S2WP) | 21 deg | Spot | 83 % | 3.340 | LEDiL: LEDiL |

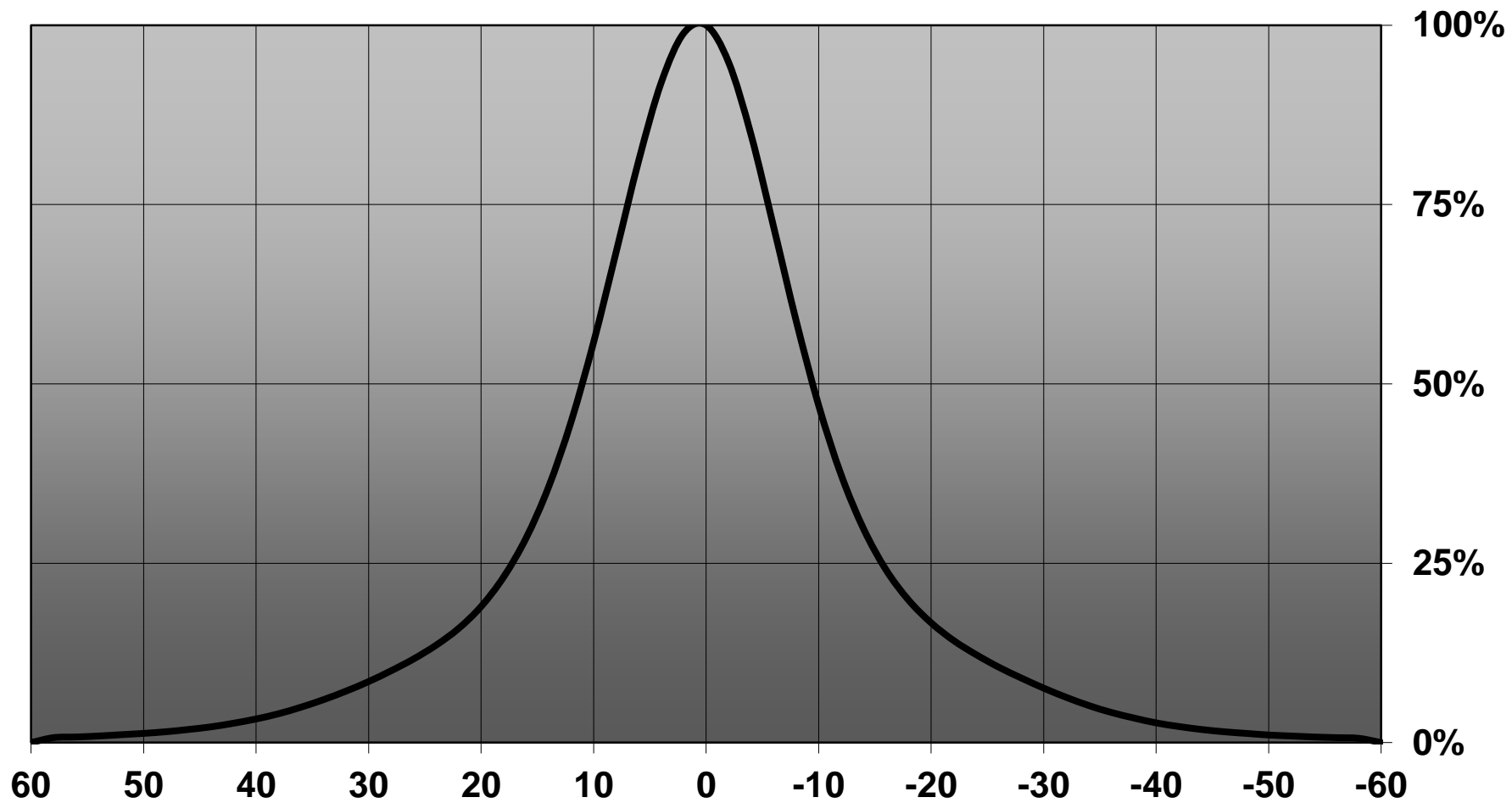
Relative intensity of CN13905_MIRELLA-50-S-PF-RZL_(XQ-E_HI_RGBW)



Relative intensity of CN13905_MIRELLA-50-S-PF-RZL_(Duris_S10)



Relative intensity of CN13905_MIRELLA-50-S-PF-RZL_(Osram_Stage_S2WP)



D

C

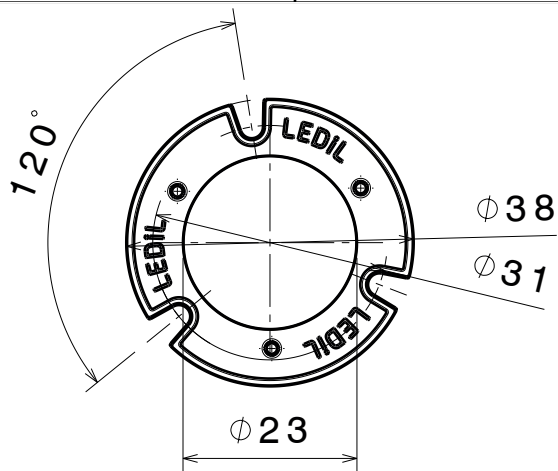
B

A

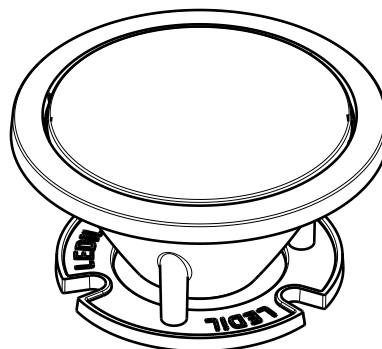
NOTE: It is recommended to use glue like DELO-PUR 9895 for pin fastening.

[http://www.delo.de/fileadmin/datasheet/DELO-PUR_9895_\(TIDB-GB\).pdf](http://www.delo.de/fileadmin/datasheet/DELO-PUR_9895_(TIDB-GB).pdf)

4

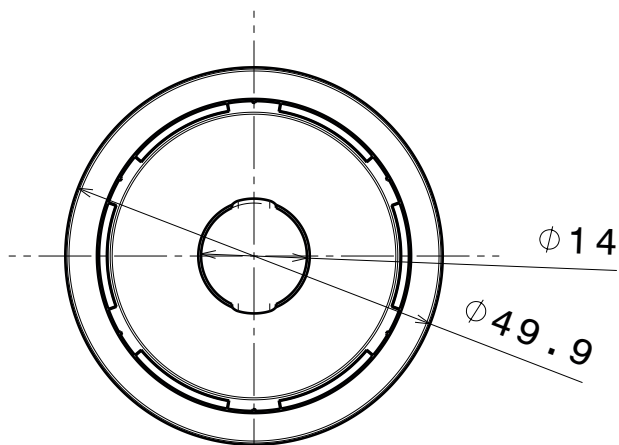


Front view

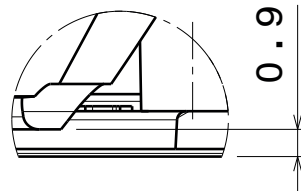


Isometric view

3

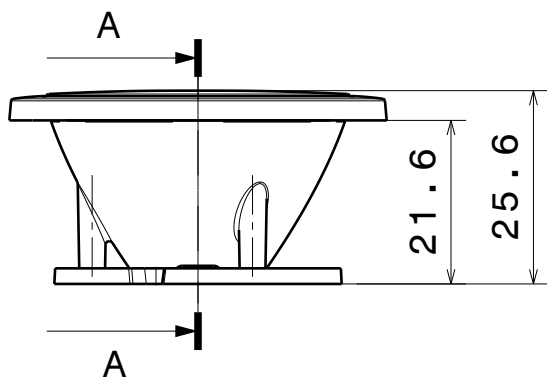


Top view

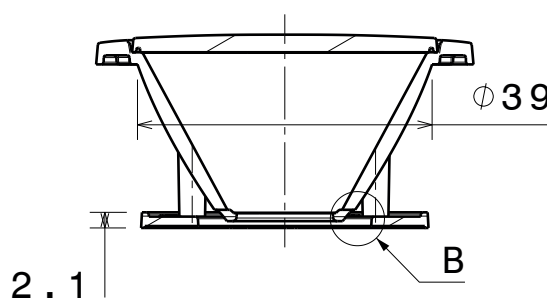


Detail B

2



Front view



Section view A-A

4

3

2

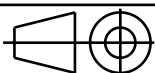
1

Tolerances if not otherwise shown
According to DIN ISO 2768-1
Linear measures:
Up to 30mm class M, otherwise class C.
According to DIN ISO 2768-2
Form and position: class L

LEDiL

Ledil Oy
Salorankatu 10
FIN 24240 SALO
Finland

THIRD ANGLE PROJECTION:



DRAWING TITLE

MIRELLA-PF-RZL Datasheet

This drawing is the property
of LEDiL Oy. It may not be
reproduced, copied or
communicated without a written
agreement with LEDiL Oy.

SIZE PART NUMBER

A4

-

SCALE 1:1 WEIGHT

-

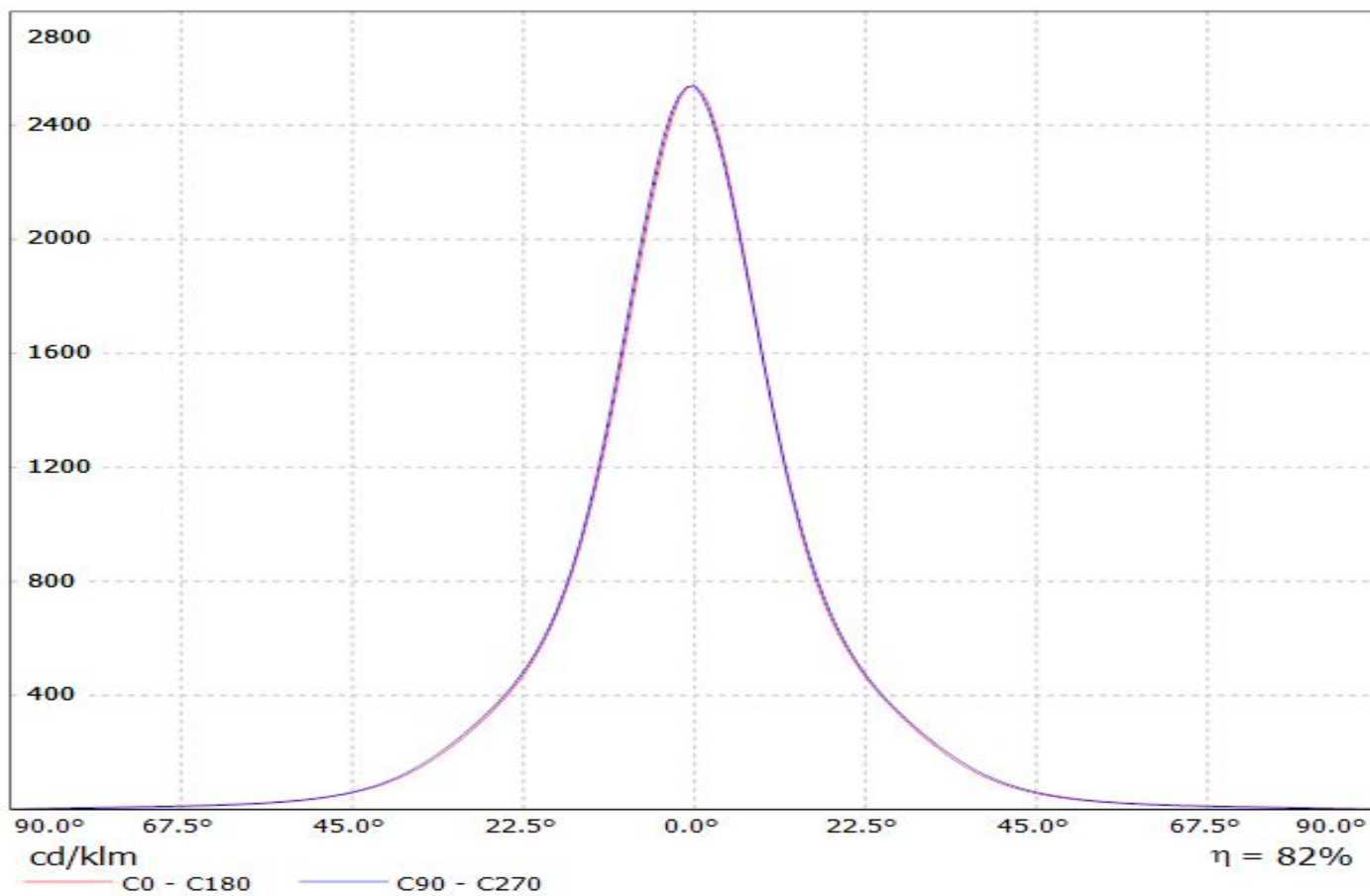
SHEET 1/1

D

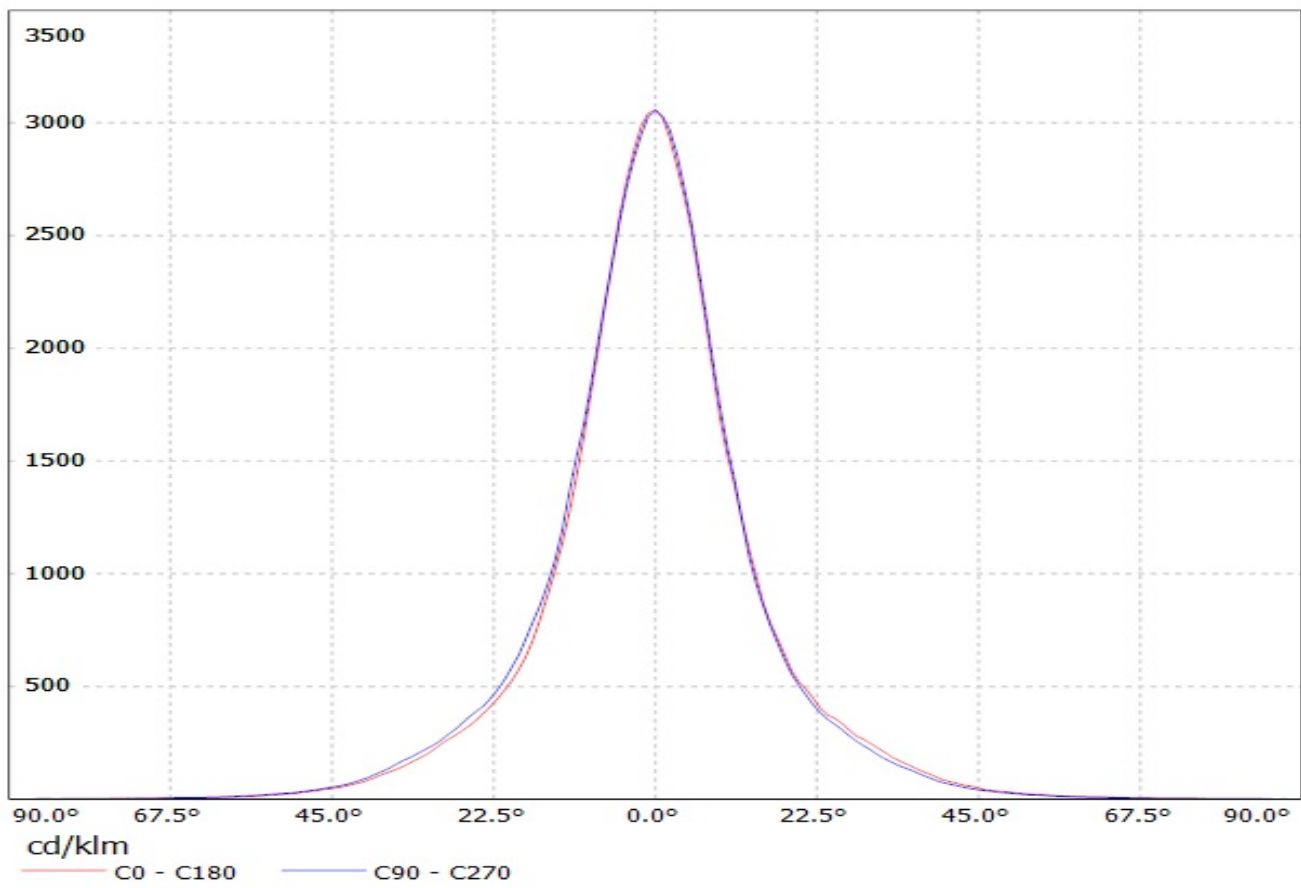
A

Luminaire: LEDiL Oy CN13905_MIRELLA-50-S-PF-RZL_(CLU700)

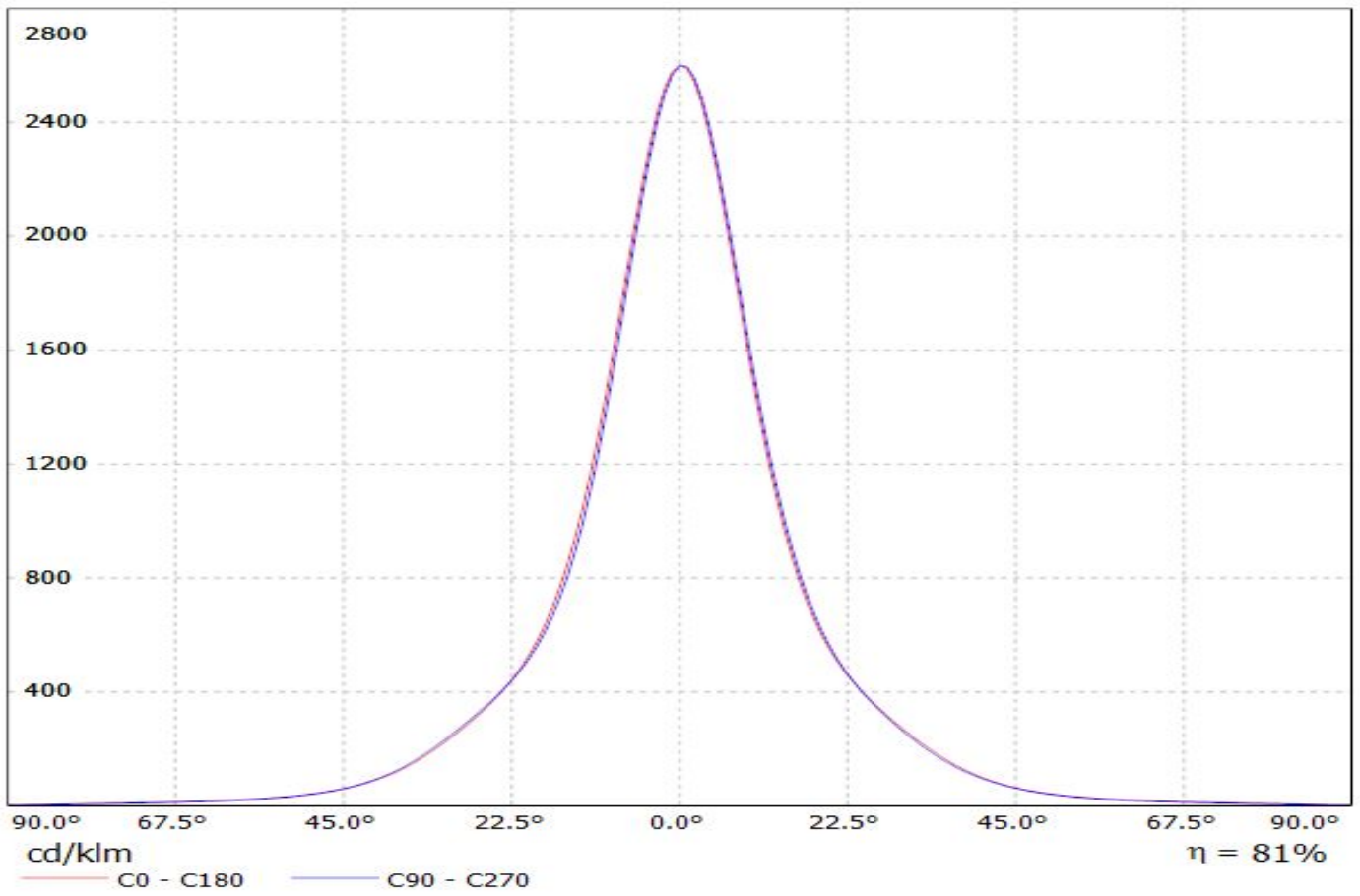
Lamps: 1 x Citizen_CLU700_(C13083_PF-SOCKET)_384.09lm@100mA_P=2.90608W_I=0.1044A



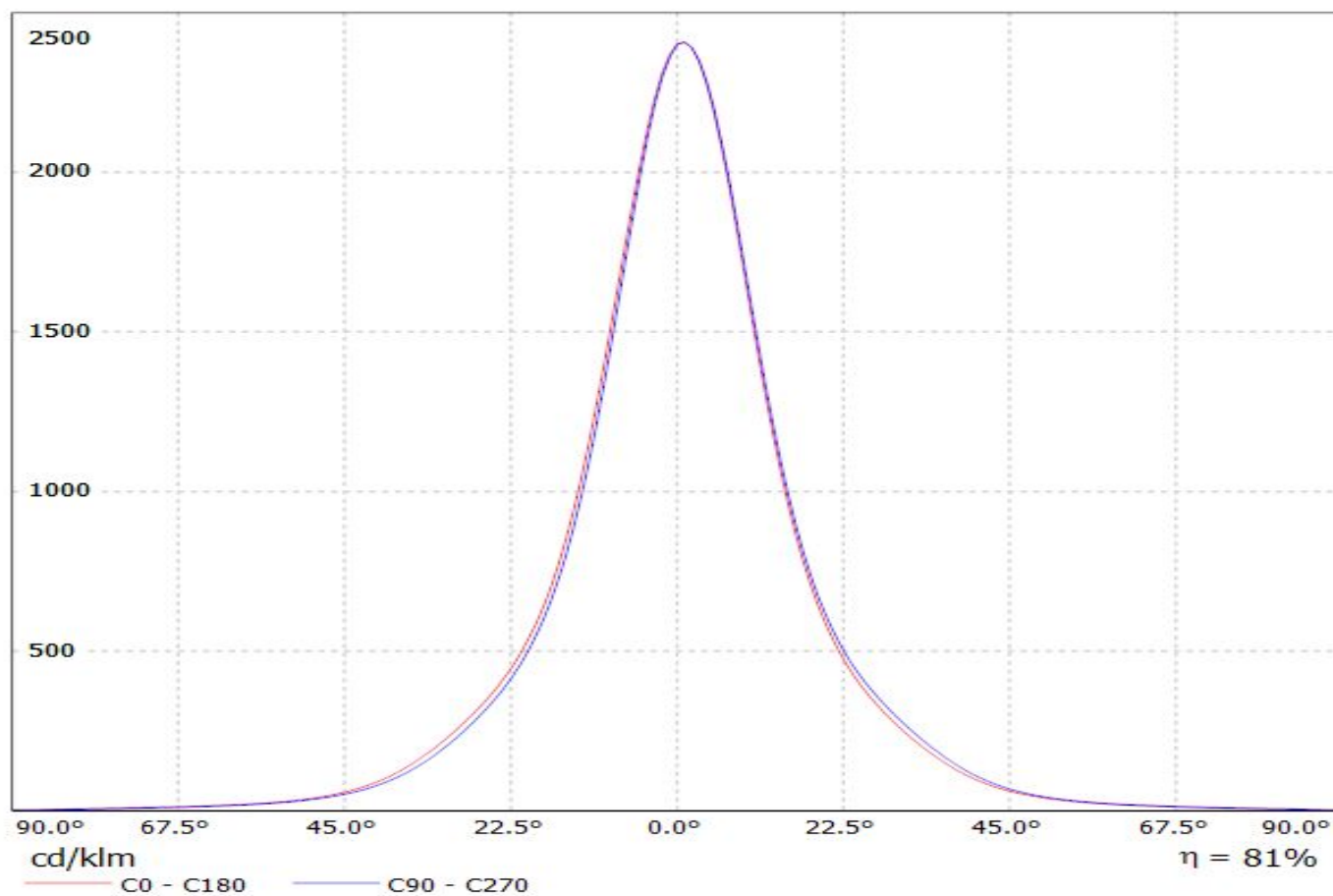
Luminaire: Ledil Oy CN13905_MIRELLA-50-S-PF-RZL_(XM-L_RGB) Efficiency=80%
Lamps: 1 x Cree XM-L RGB (206lm @ 250mA) CCT= P=2.8W I=250mA



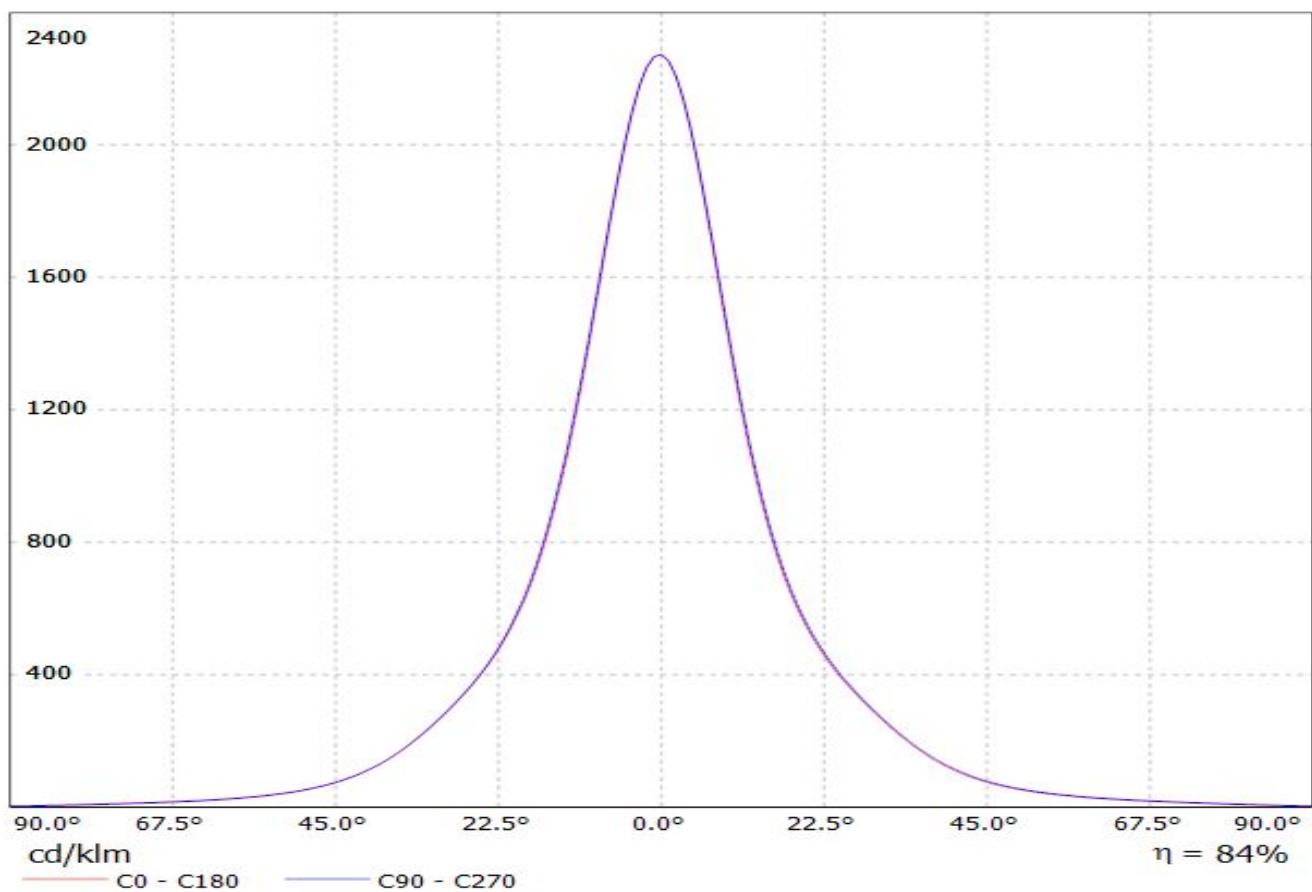
Luminaire: LEDiL Oy CN13905_MIRELLA-50-S-PF-RZL_(CREE_XHP50_WARM_WHITE)
Lamps: 1 x CREE_XHP50_WARM_WHITE_195.088lm@250mA_P=1.40004W_I=0.2499A



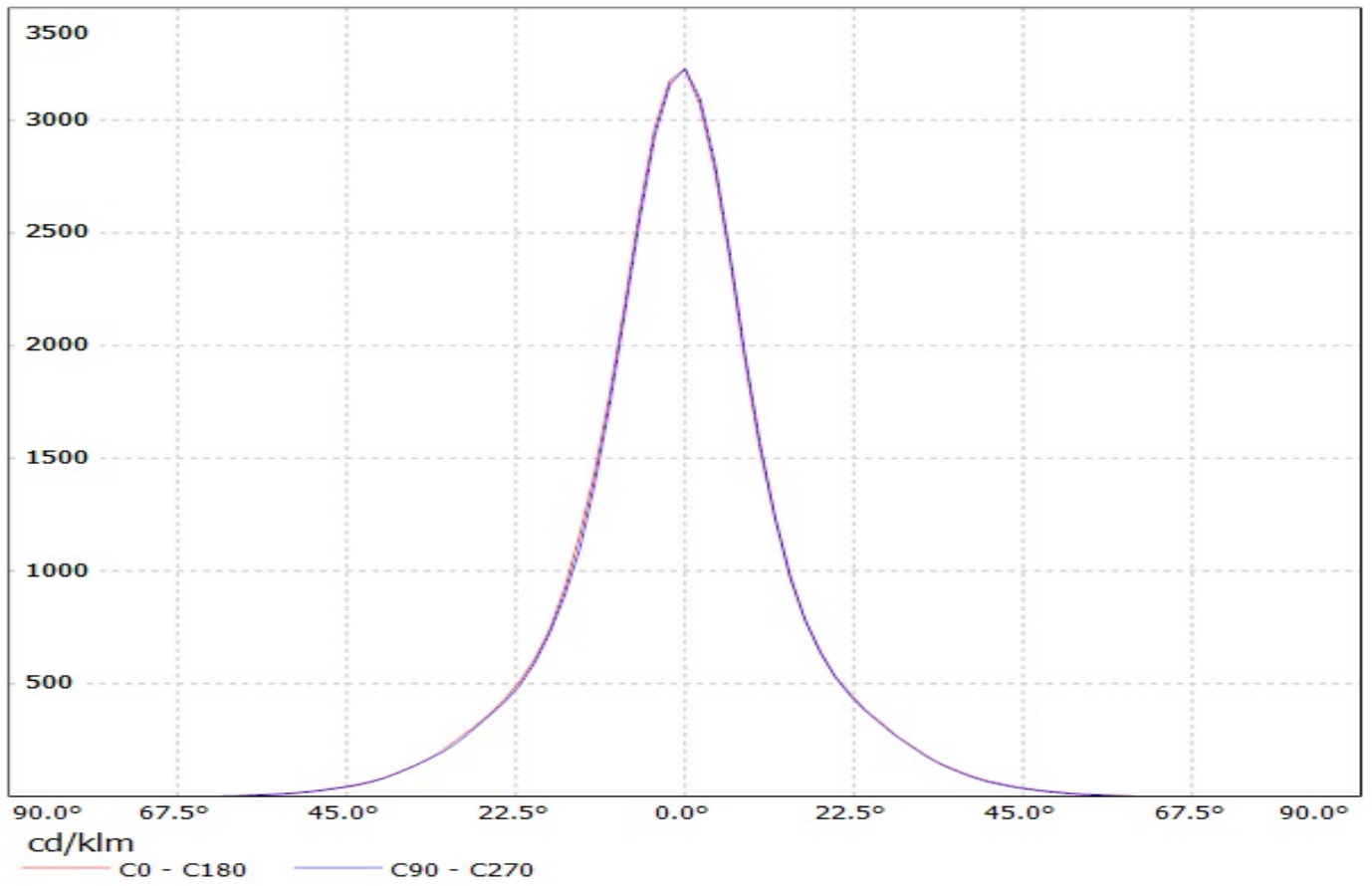
Luminaire: LEDiL Oy CN13905_MIRELLA-50-S-PF-RZL_(CREE_XHP70)
Lamps: 1 x CREE_XHP70_260.212lm@250mA_P=1.383W_I=0.2499A



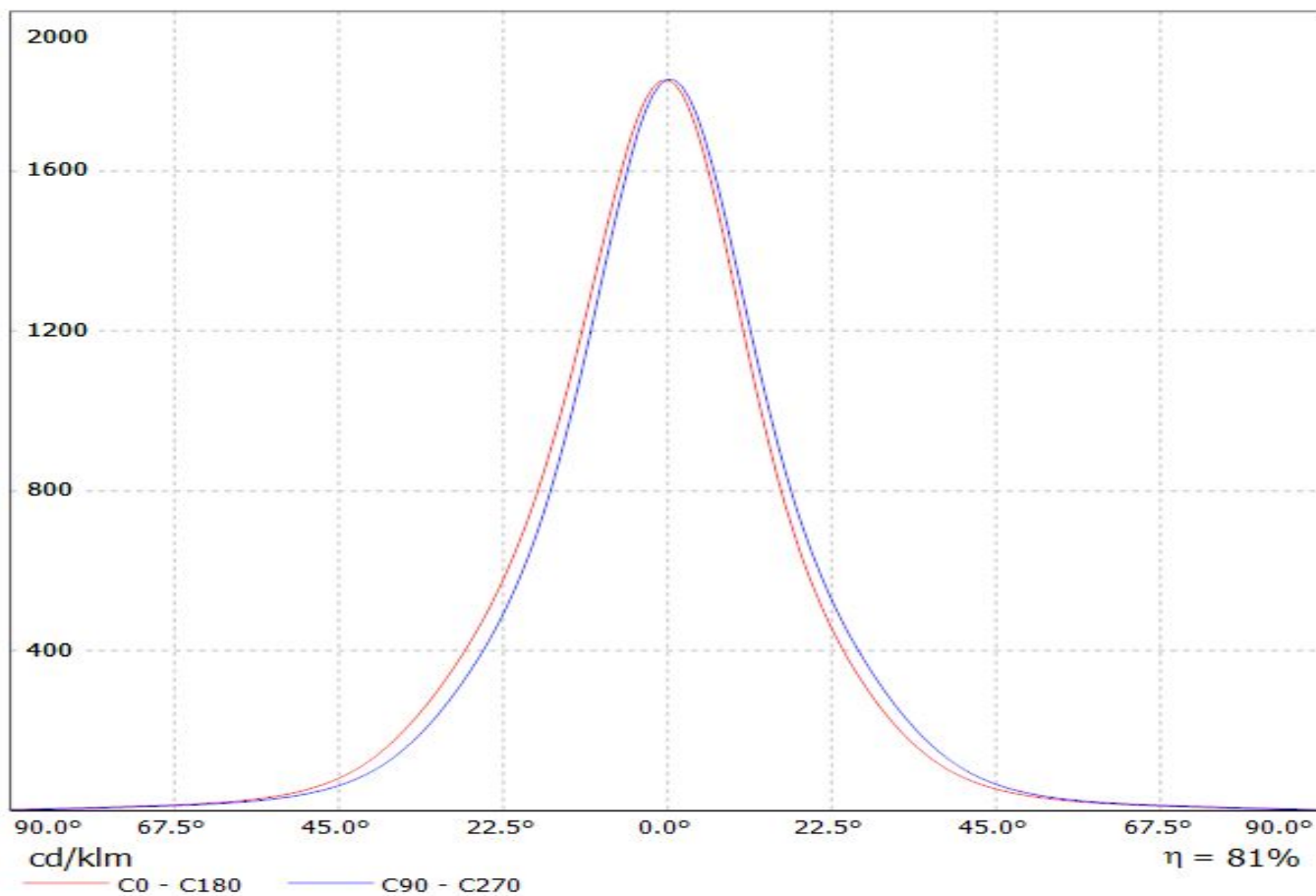
Luminaire: Ledil CN13905_MIRELLA-50-S-PF-RZL_(MHD-G)
Lamps: 1 x Cree MHD-G_530.44lm@100mA_P=3.0W_I=0.100A



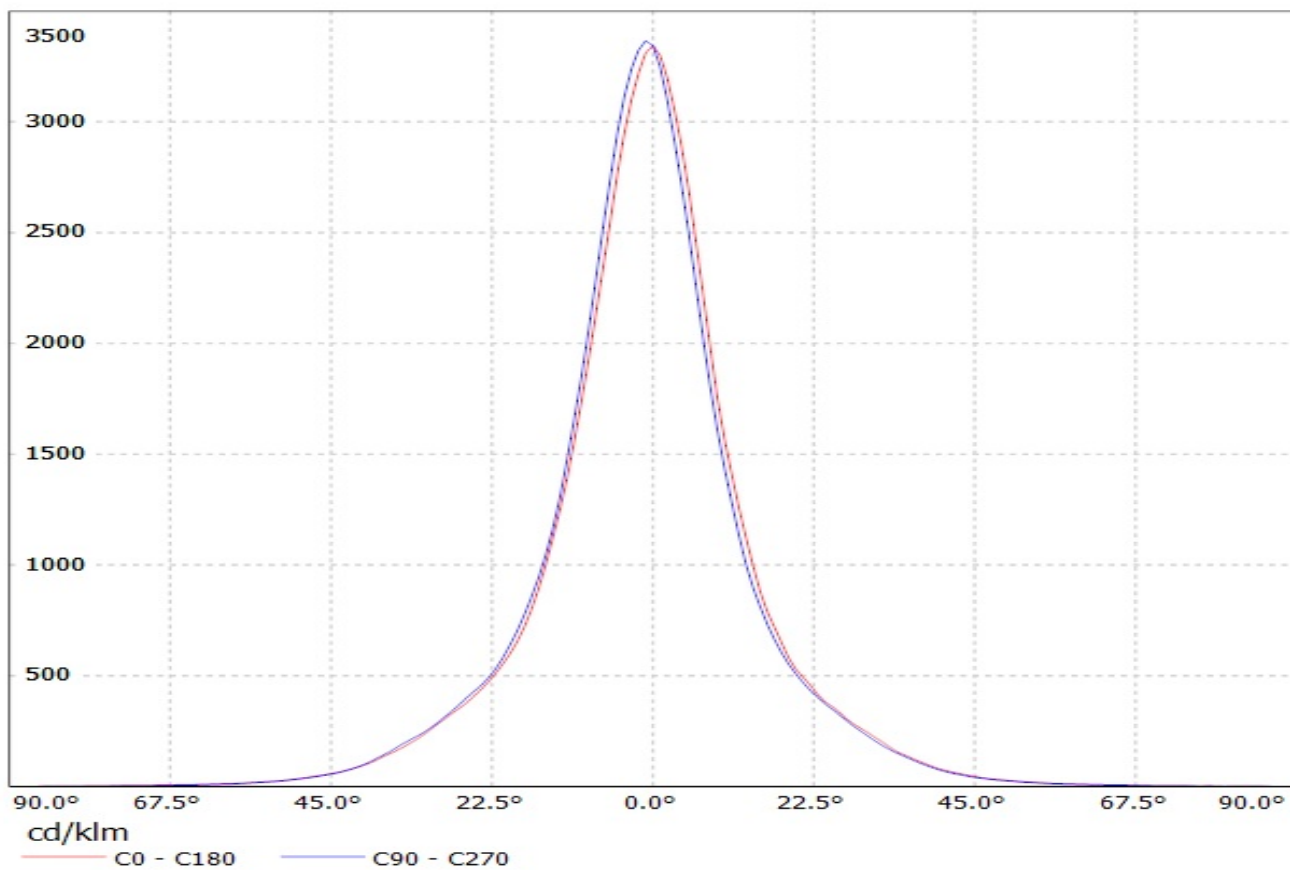
Luminaire: LEDil Oy CN13905_MIRELLA-50-S-PF-RZL_(Luxeon_Z_RGB) Efficiency=78%
Lamps: 1 x Philips Lumileds Luxeon RGB (164lm @ 250mA) P=2.6W I=250mA



Luminaire: LEDiL Oy CN13905_MIRELLA-50-S-PF-RZL_(CXM-9)
Lamps: 1 x Luminus_XNOVA_CXM-9_962.046lm@240mA_P=8.29334W_I=240mA

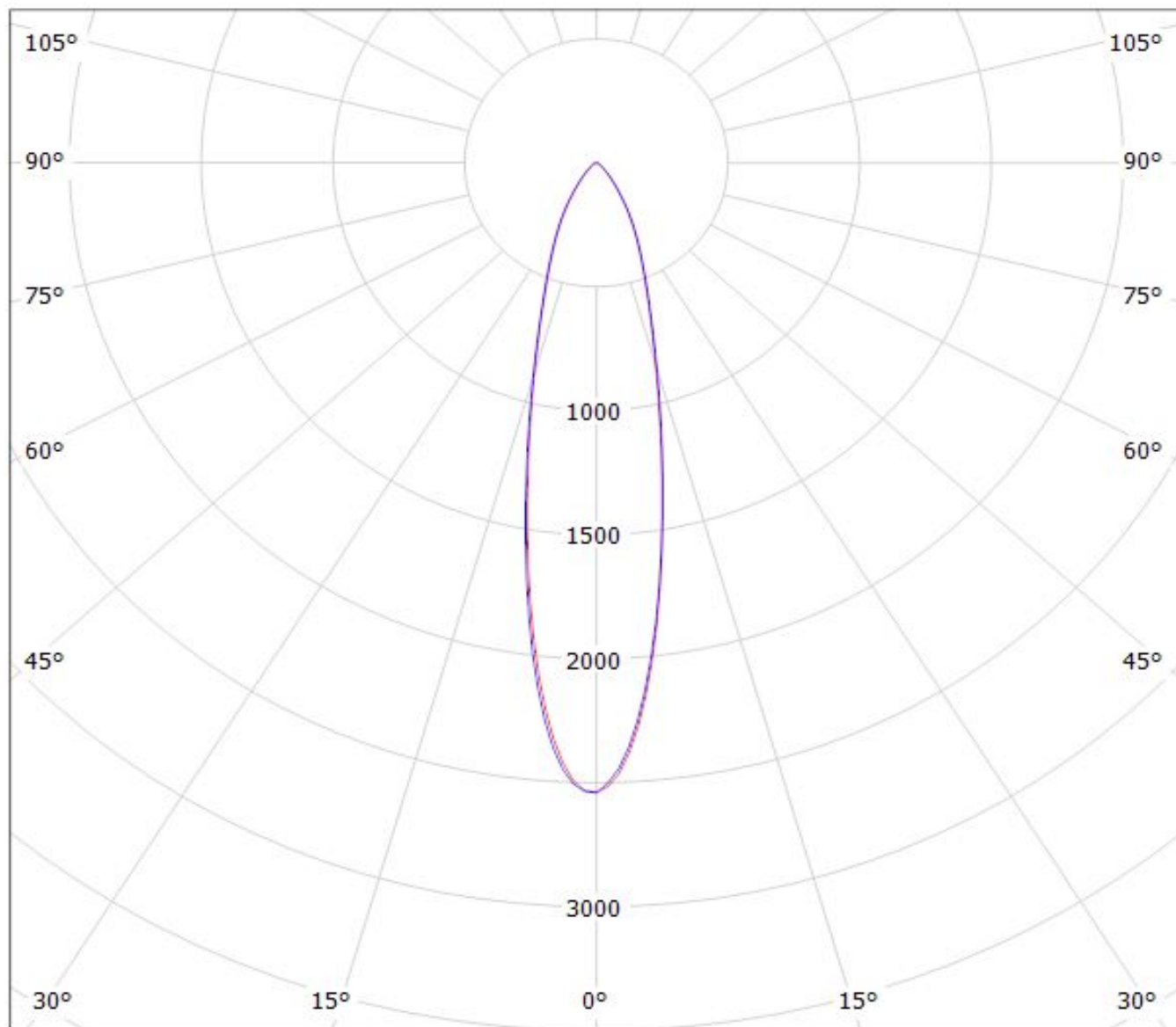


Luminaire: Ledil Oy CN13905_MIRELLA-50-S-PF-RZL_(Ostar-SMT_RGB) Efficiency=82%
Lamps: 1 x Osram Ostar-SMT RGB (164lm @ 250mA) CCT= P=3.0W I=250mA



Luminaire: LEDiL Oy CN13905_MIRELLA-50-S-PF-RZL_(CLU700)

Lamps: 1 x Citizen_CLU700_(C13083_PF-SOCKET)_384.09lm@100mA_P=2.90608W_I=0.1044A



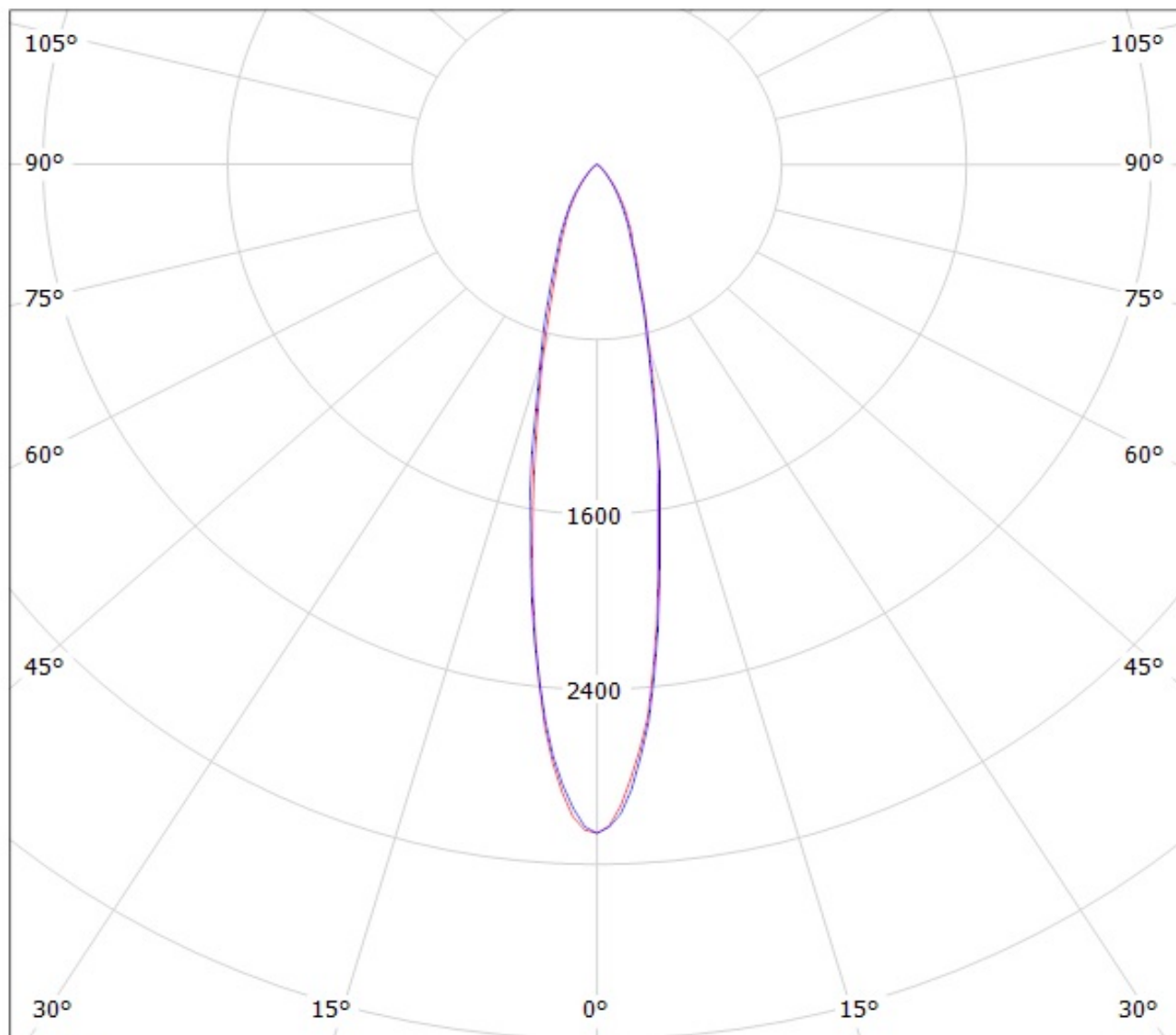
cd/klm

— C0 - C180

— C90 - C270

$\eta = 82\%$

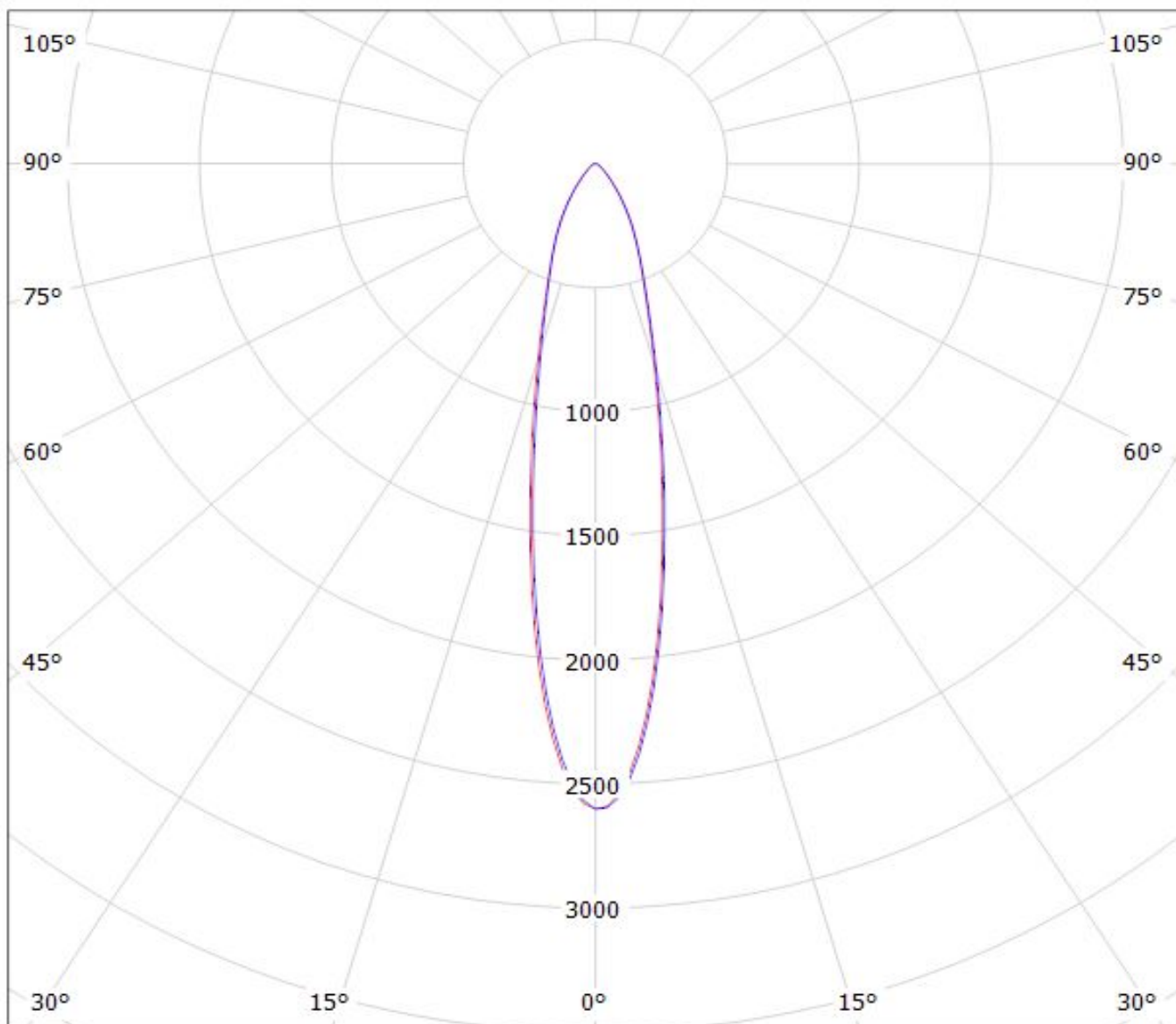
Luminaire: Ledil Oy CN13905_MIRELLA-50-S-PF-RZL_(XM-L_RGB) Efficiency=80%
Lamps: 1 x Cree XM-L RGB (206lm @ 250mA) CCT= P=2.8W I=250mA



cd/klm

— C0 - C180 — C90 - C270

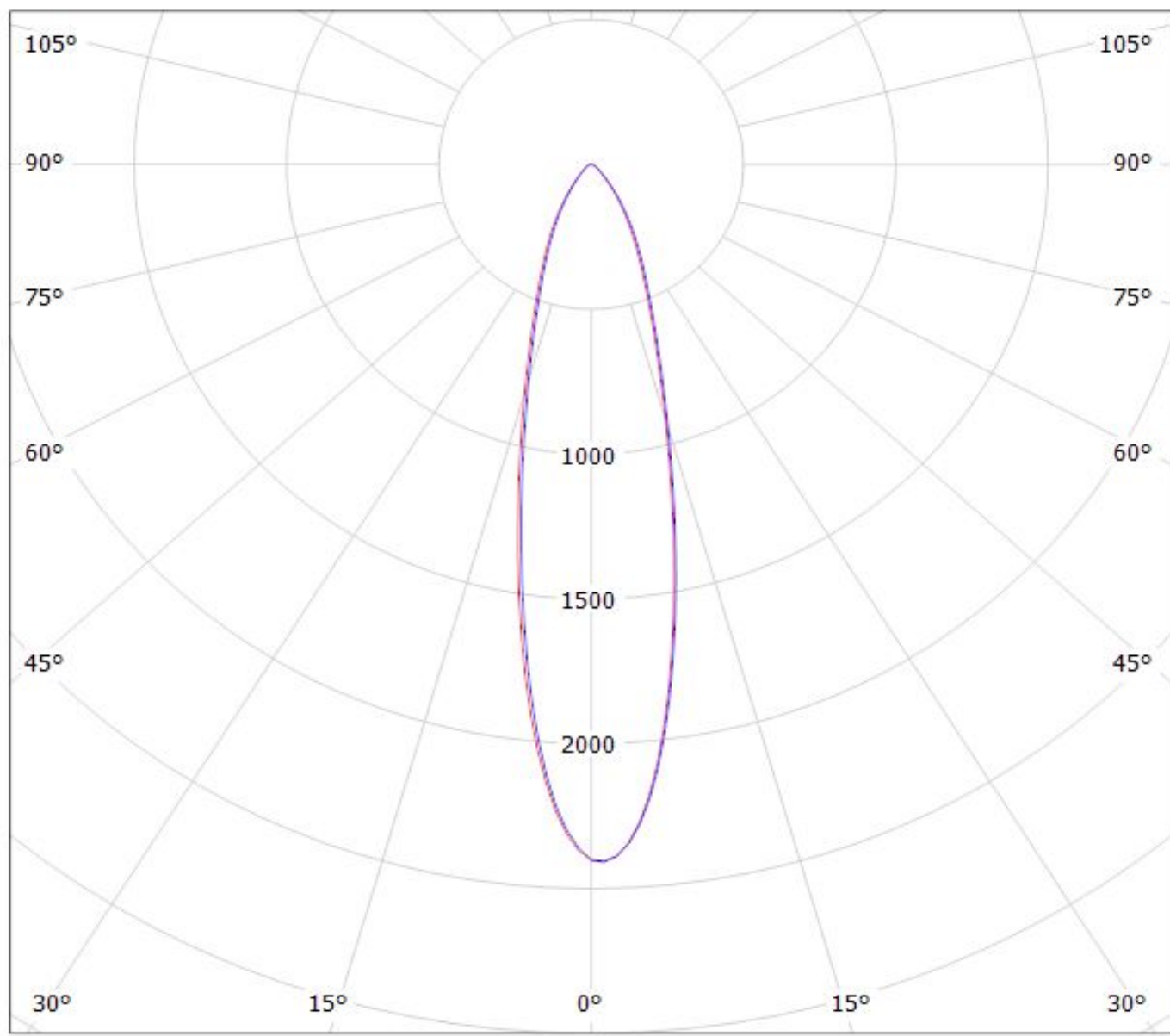
Luminaire: LEDiL Oy CN13905_MIRELLA-50-S-PF-RZL_(CREE_XHP50_WARM_WHITE)
Lamps: 1 x CREE_XHP50_WARM_WHITE_195.088lm@250mA_P=1.40004W_I=0.2499A



cd/klm
— C0 - C180 — C90 - C270

η = 81%

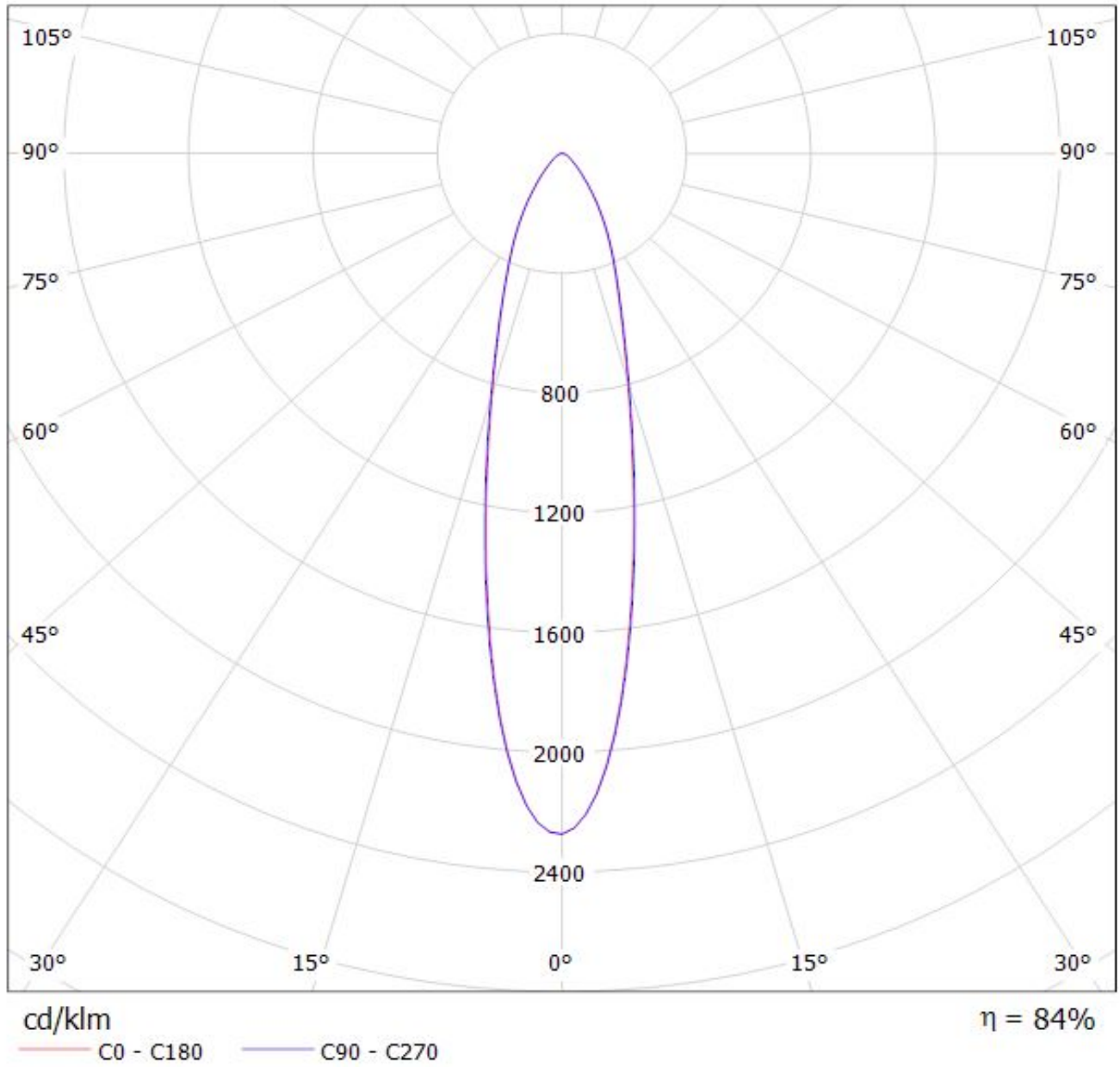
Luminaire: LEDiL Oy CN13905_MIRELLA-50-S-PF-RZL_(CREE_XHP70)
Lamps: 1 x CREE_XHP70_260.212lm@250mA_P=1.383W_I=0.2499A



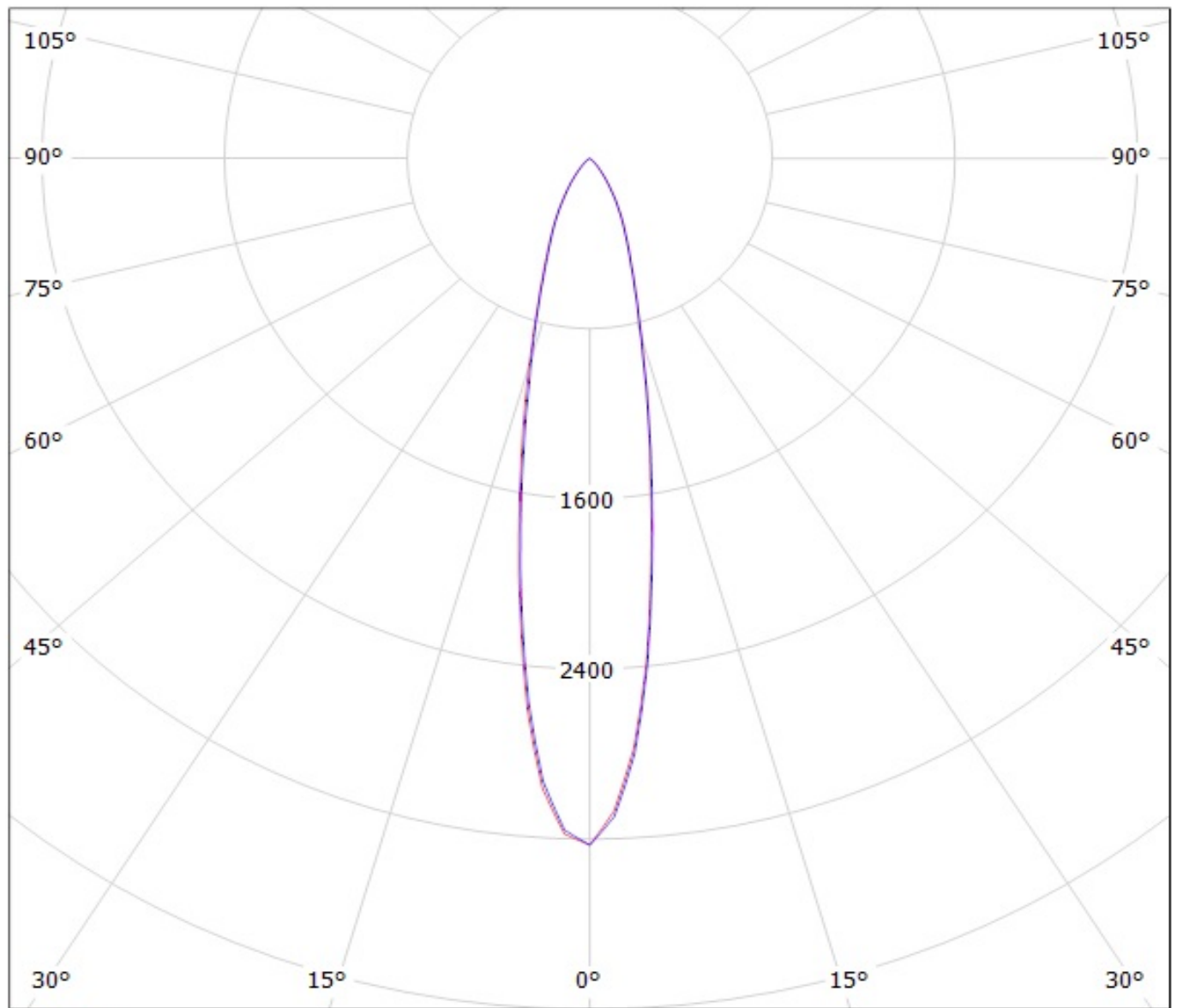
cd/klm
— C0 - C180 — C90 - C270

$\eta = 81\%$

Luminaire: Ledil CN13905_MIRELLA-50-S-PF-RZL_(MHD-G)
Lamps: 1 x Cree MHD-G_530.44lm@100mA_P=3.0W_I=0.100A



Luminaire: LEDil Oy CN13905_MIRELLA-50-S-PF-RZL_(Luxeon_Z_RGB) Efficiency=78%
Lamps: 1 x Philips Lumileds Luxeon RGB (164lm @ 250mA) P=2.6W I=250mA



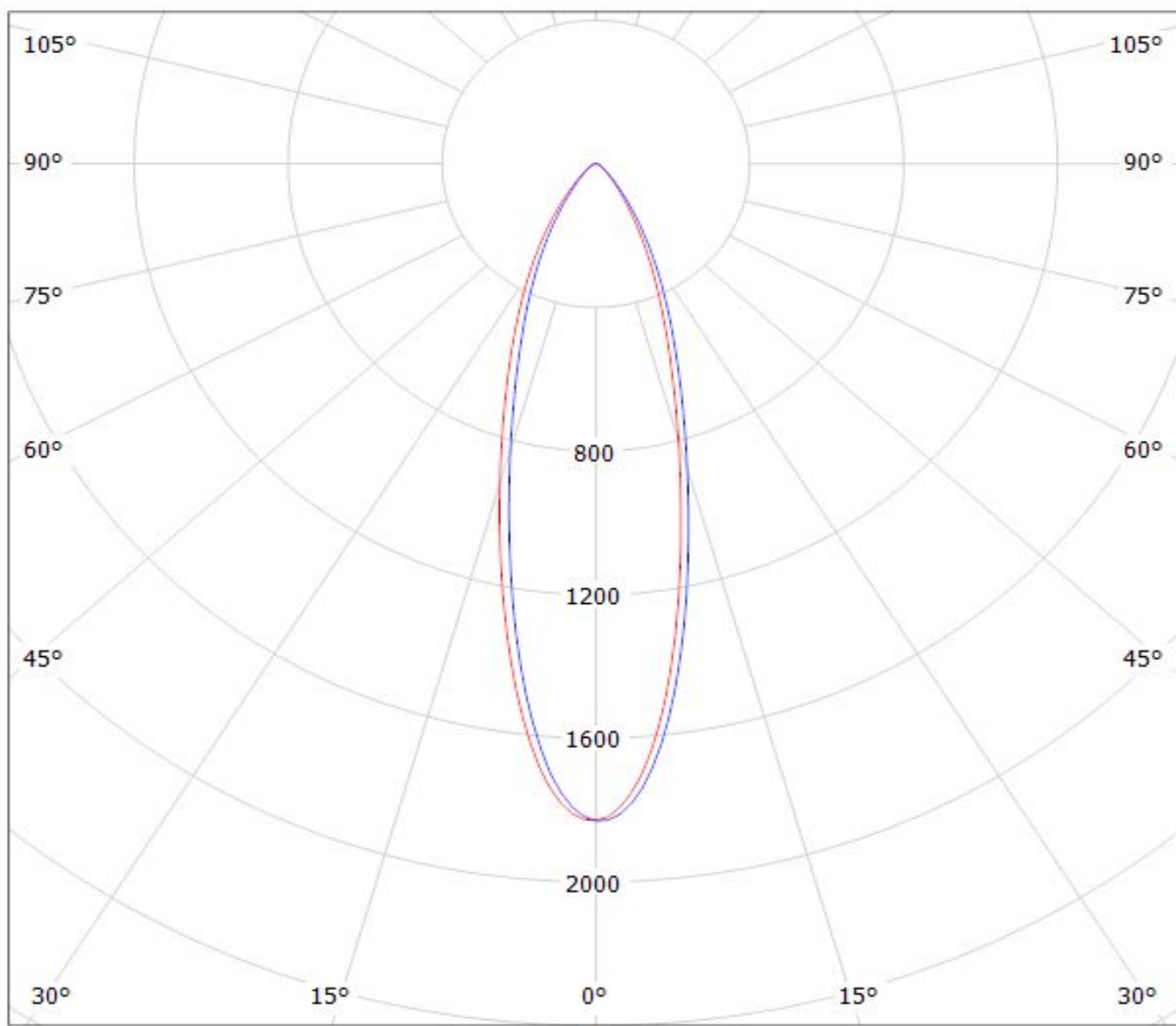
cd/klm

— C0 - C180

— C90 - C270

Luminaire: LEDiL Oy CN13905_MIRELLA-50-S-PF-RZL_(CXM-9)

Lamps: 1 x Luminus_XNOVA_CXM-9_962.046lm@240mA_P=8.29334W_I=240mA



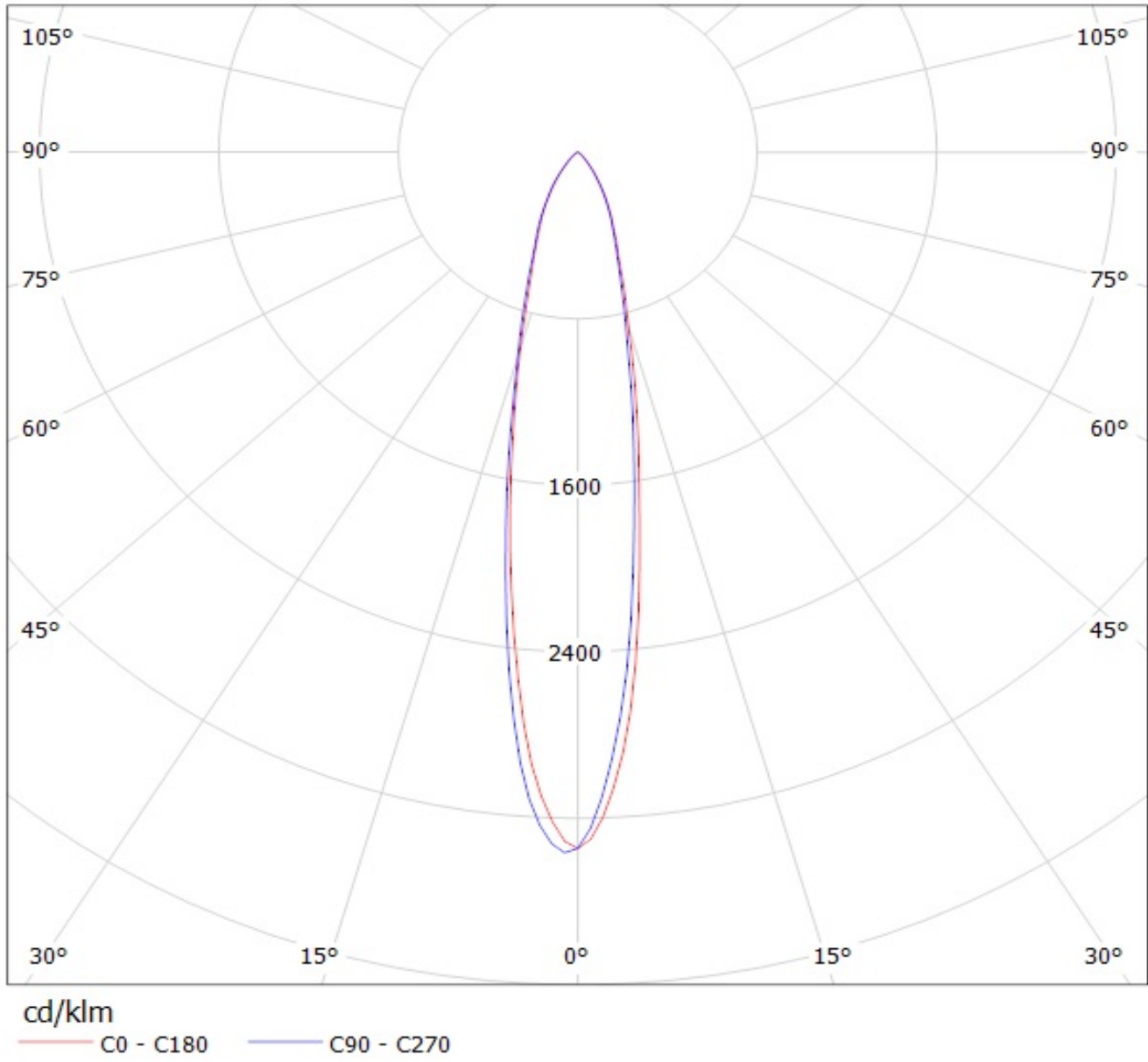
cd/klm

— C0 - C180

— C90 - C270

$\eta = 81\%$

Luminaire: Ledil Oy CN13905_MIRELLA-50-S-PF-RZL_(Ostar-SMT_RGB) Efficiency=82%
Lamps: 1 x Osram Ostar-SMT RGB (164lm @ 250mA) CCT= P=3.0W I=250mA



NOTE: The typical divergence will be changed by different color, chip size and chip position tolerance. The typical total divergence is the full angle measured where the luminous intensity is half of the peak value.

GENERAL INFORMATION

- Product series especially designed & optimized for series of LEDs.
- Special care taken to make light distribution as uniform as possible.

Note! Due to use of high power COB's with this product, special attention to proper thermal design is highly recommended. LEDiL has no liability for direct, indirect or consecutive damages arising from the LEDiL products being used outside of the recommended temperature range.